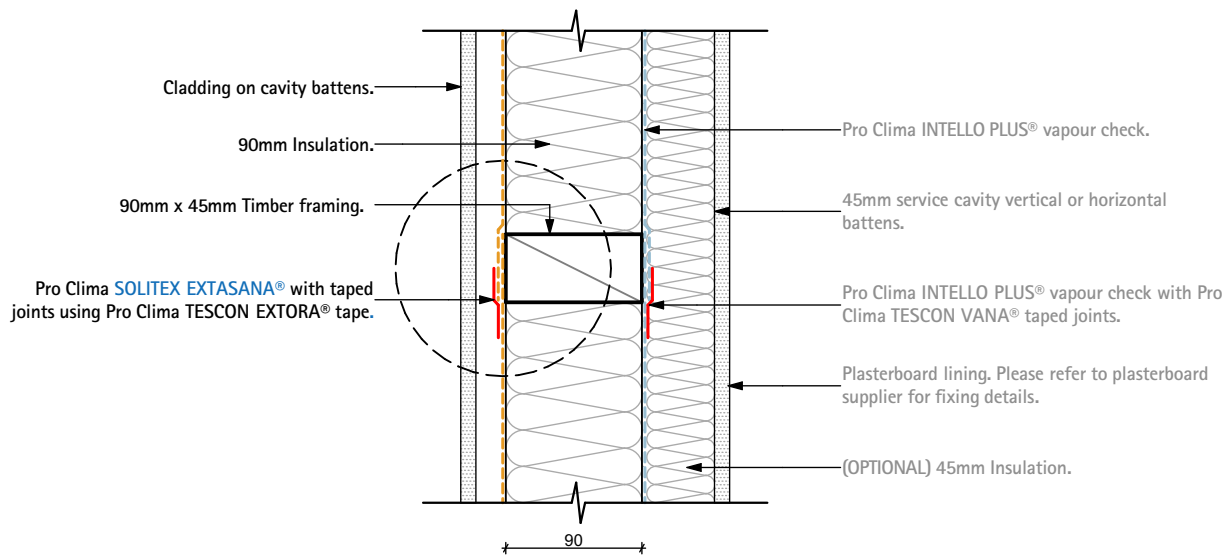
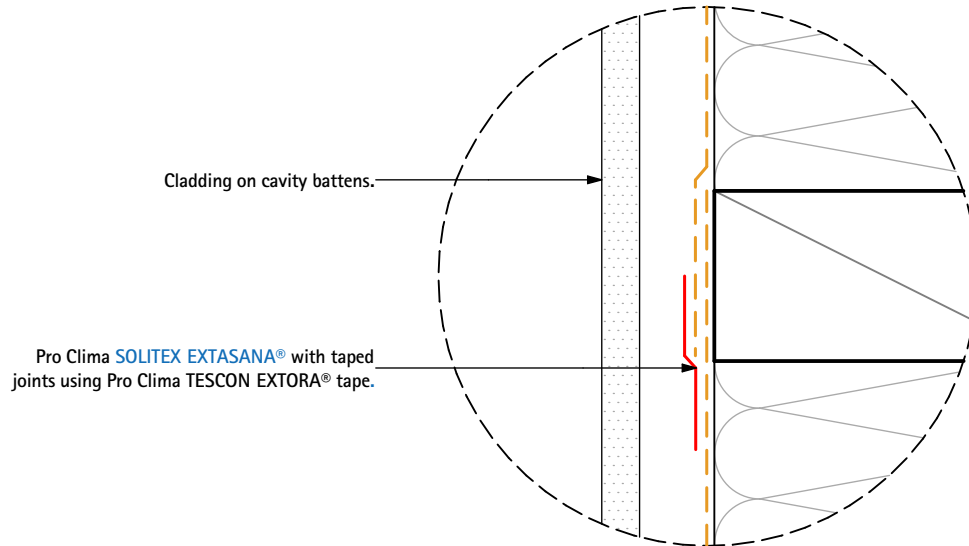


# W3111 Pro Clima Wall Timber Framing Detail

Typical vertical 90mm wall section with 45mm service cavity



Pro Clima NZ Limited

Freephone: 0800 PRO CLIMA (776 254)  
PO Box 925 CBD

Phone: 04 589 8460  
Fax: 04 589 8461

Wellington 6140

Email: [support@proclima.co.nz](mailto:support@proclima.co.nz)  
Web: [www.proclima.co.nz](http://www.proclima.co.nz)

Title:

Wall Timber Framing Detail

Scale: 1:5, 1:2  
Revision: D  
Issued: 06-03-2019

Detail  
Number:

W3111

© This drawing is the property of pro clima and must not be copied without permission. This drawing is a Guideline only. Thermal and hygrothermal performance should match specific design, materials and climate requirements. These can be confirmed by hygrothermal analysis using software eg WUFI.